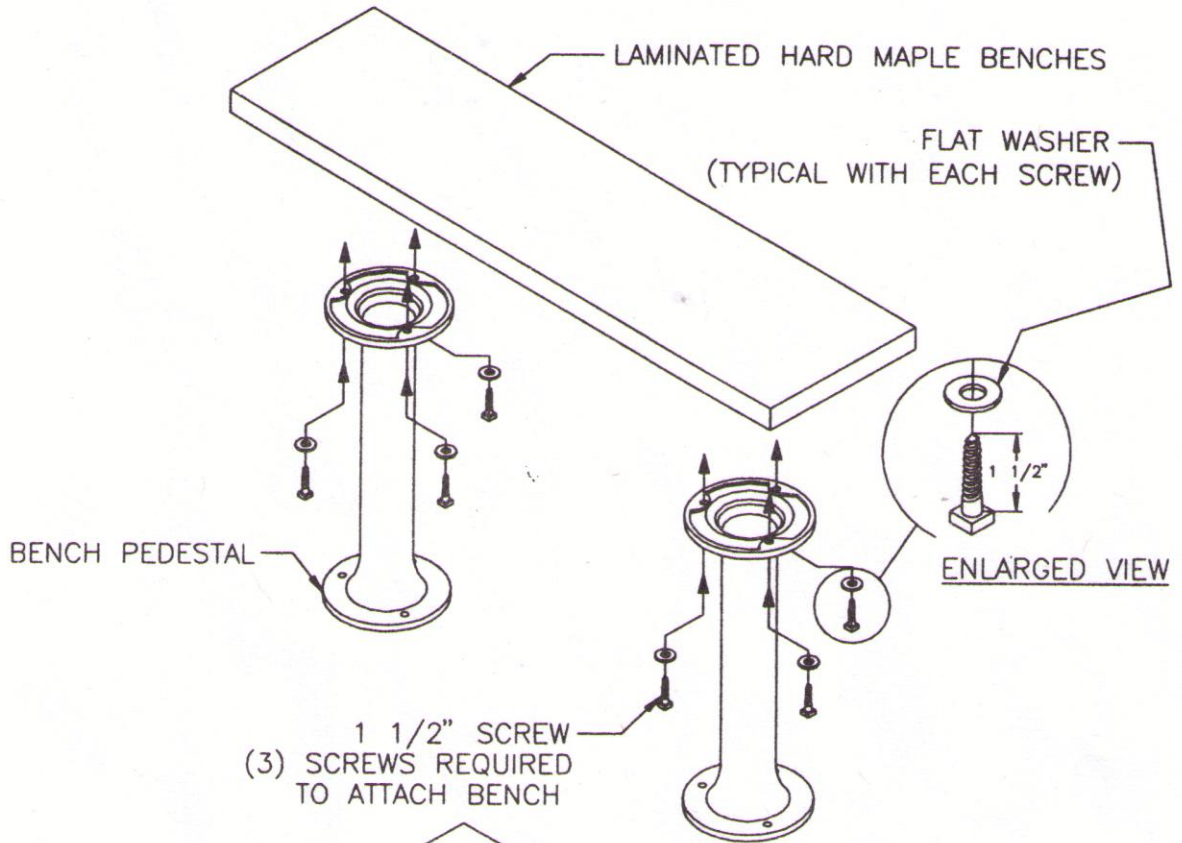


TOP VIEW DIMENSIONS



- 1: MARK HOLE LOCATION FOR MOUNTING PEDESTAL TO BENCH.
- 2: DRILL WITH 3/16" DIA. BIT 1" DEEP FOR EACH HOLE.
- 3: INSTALL SCREWS IN HOLES DRILLED FOR MOUNTING.

FINISHED ASSEMBLY

ASSEMBLY INSTRUCTIONS FOR LOCKER BENCH & PEDESTAL